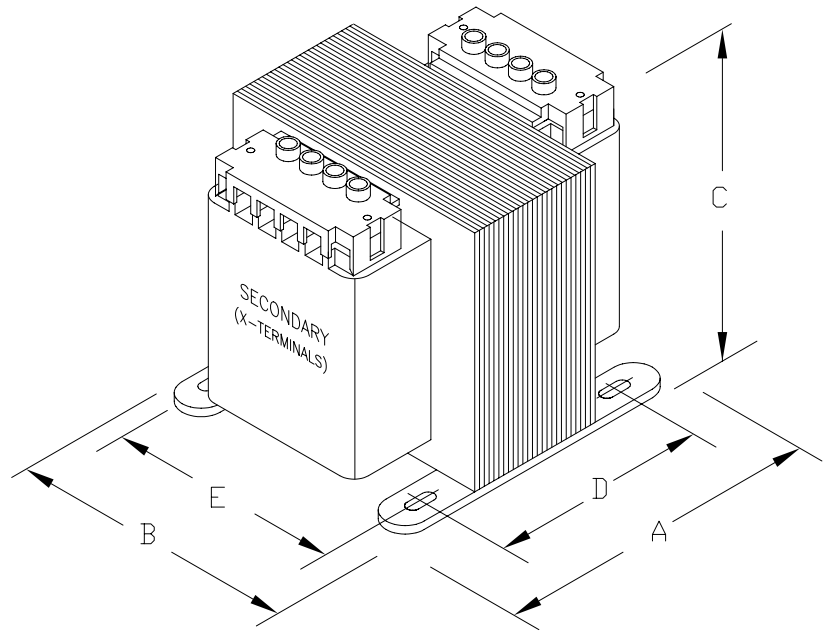


CONNECTION DIAGRAM



PROVIDED WITH SAFE TOUCH TERMINAL COVERS.
NO INTEGRAL FUSING CAPABILITY.

DIMENSIONS							APPROX. WT. LBS (KG)
	A	B	C	D	E	MTG. SLOTS	
INCHES (MM)	3.38 (86)	3.38 (86)	3.50 (83)	2.42 (61)	2.81 (71)	0.203X0.460 (5.1X11.7)	



CAT. NO. B075-2062-GA		CONST. ENCAPSULATED				UL LISTED	
		MODEL GLOBALTRAN					
RATING							SP CERTIFIED
OUTPUT AMPS	0.68/0.34	PRIMARY V	380/400/415	TEMP. CLASS	HZ 50/60	CE IEC 61558	
VA	75	SECONDARY V	110X220	105°C	REVISION G		